



US00D798912S

(12) **United States Design Patent** (10) **Patent No.:** **US D798,912 S**
Doyle (45) **Date of Patent:** **** Oct. 3, 2017**

- (54) **TRACK FOR A LOADER**
- (71) Applicant: **McLaren Group Holdings Pte. Ltd.,**
Singapore (SG)
- (72) Inventor: **Richardson J. Doyle,** Hawaiian
Gardens, CA (US)
- (73) Assignee: **McLaren Group Holdings Pte. Ltd.,**
Singapore (SG)
- (**) Term: **15 Years**
- (21) Appl. No.: **29/564,176**
- (22) Filed: **May 11, 2016**
- (51) **LOC (10) Cl.** **15-03**
- (52) **U.S. Cl.**
USPC **D15/28**
- (58) **Field of Classification Search**
USPC D15/10, 22-26, 28; 305/142, 125, 132,
305/135, 195, 129, 136; 180/9.54, 9.21
CPC B62D 55/04; B62D 55/084; B62D 55/14;
B62D 55/02; B62D 55/125; B62D 55/08;
B62D 55/00
See application file for complete search history.

- (56) **References Cited**
U.S. PATENT DOCUMENTS
5,452,949 A * 9/1995 Kelderman B62D 49/0635
180/9.44
5,842,757 A * 12/1998 Kelderman B62D 55/02
305/125
D425,526 S * 5/2000 Juncker D15/28
D473,245 S * 4/2003 Heitmann D15/28
D488,171 S * 4/2004 Juncker D15/28
D505,136 S * 5/2005 Brazier B62D 55/14
D15/28
D510,742 S * 10/2005 Stover D15/28
D528,133 S * 9/2006 Brazier D15/28
7,222,924 B2 * 5/2007 Christianson B62D 55/10
305/125

- 7,232,130 B2 * 6/2007 Reeves B62B 19/02
180/184
- 7,252,347 B2 * 8/2007 Gingras B62D 55/12
305/124
- D563,438 S * 3/2008 Bares D15/24
- D587,727 S * 3/2009 Vos B62D 55/065
D15/24
- D603,880 S * 11/2009 Brazier D15/28
- 8,347,991 B2 * 1/2013 Zuchoski B62D 55/10
180/9.1

(Continued)

Primary Examiner — Mark Goodwin
(74) *Attorney, Agent, or Firm* — K. David Crockett, Esq.;
Paul J. Backofen, Esq.; Crockett & Crockett, PC

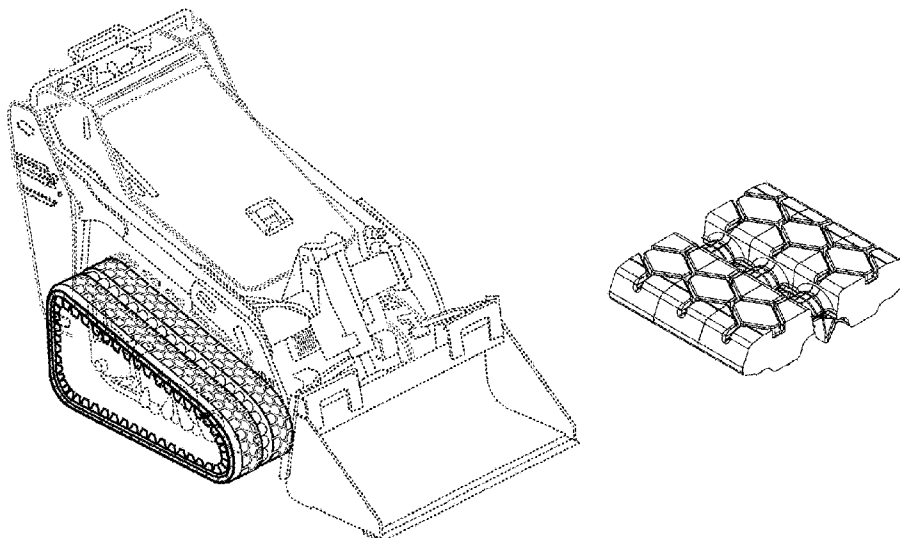
(57) **CLAIM**

The ornamental design for a track for a loader, as shown and described.

DESCRIPTION

FIG. 1 is right-front perspective view of the track for a loader showing our new design that repeats uniformly along the circumference of the track.
FIG. 2 is right side view of the track for a loader of FIG. 1; the opposite side being a mirror image thereof.
FIG. 3 is a top view of the track for a loader of FIG. 1.
FIG. 4 a front view of the track for a loader of FIG. 1.
FIG. 5 a bottom view of the track for a loader of FIG. 1.
FIG. 6 is an enlarged close-up top view of a portion of the track for a loader of FIG. 3.
FIG. 7 is an enlarged close-up perspective view of a portion of the track for a loader of FIG. 1.
FIG. 8 is an enlarged cross section view of the track for a loader of FIG. 1; and,
FIG. 9 is an enlarged close-up side view of a portion of the track for a loader of FIG. 2.
The broken line showing of a loader is included for the purpose of illustrating environmental structure only and forms no part of the claimed design.

1 Claim, 6 Drawing Sheets



(56)

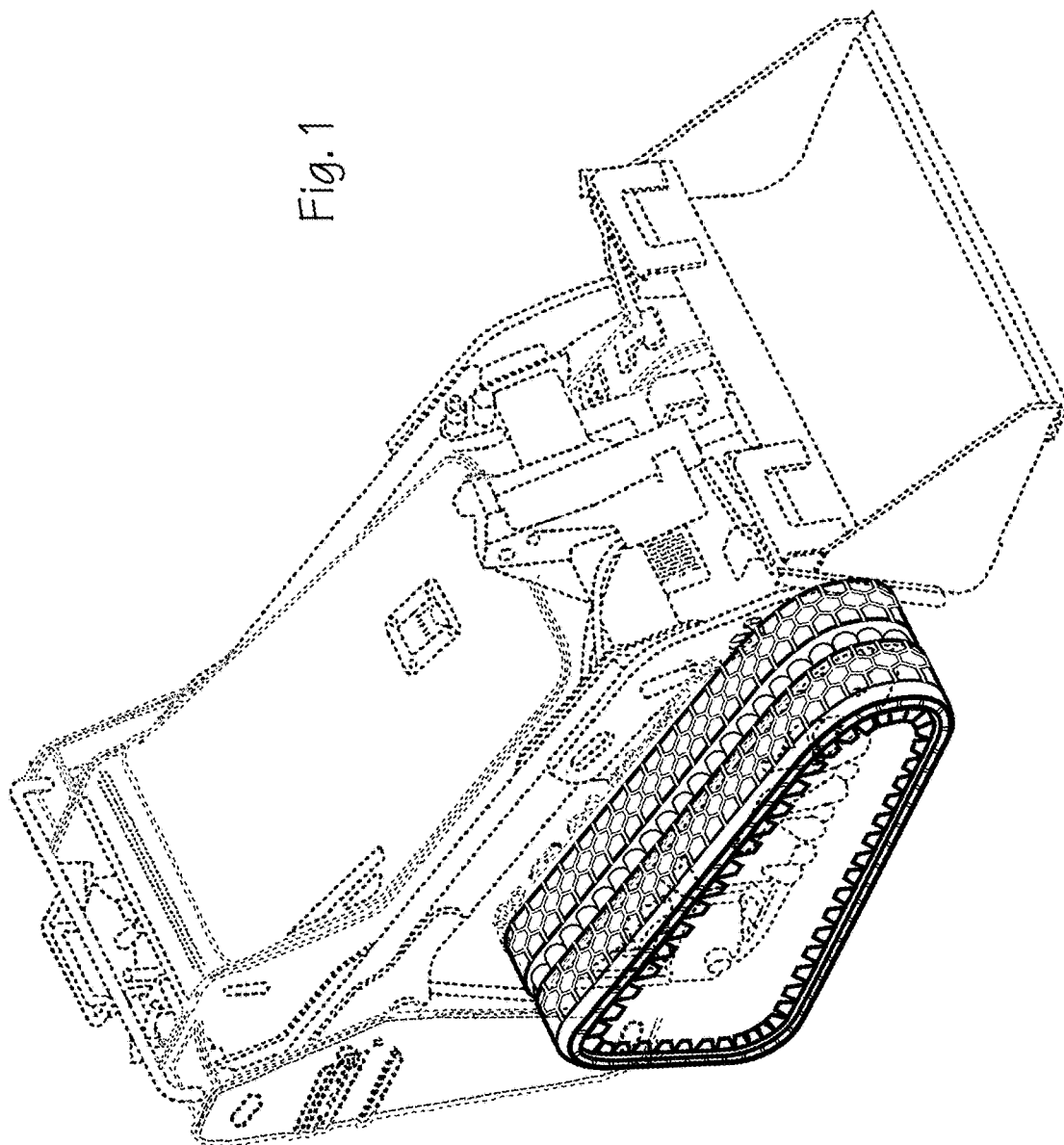
References Cited

U.S. PATENT DOCUMENTS

8,632,138	B2 *	1/2014	Besette	B62D 55/04
					305/142
D709,921	S *	7/2014	Brazier	D15/28
D711,928	S *	8/2014	Brazier	D15/28
D712,937	S *	9/2014	Wennerborn	D15/28
8,911,031	B2 *	12/2014	Besette	B62D 55/04
					305/128
D723,070	S *	2/2015	Sugihara	D15/28
D723,590	S *	3/2015	Tateishi	D15/28
D724,107	S *	3/2015	Tateishi	D15/28
D724,628	S *	3/2015	Tateishi	D15/28
D725,682	S *	3/2015	Tateishi	D15/28
D738,405	S *	9/2015	Meyer	D15/28
D777,804	S *	1/2017	Doyle	D15/28

* cited by examiner

Fig. 1



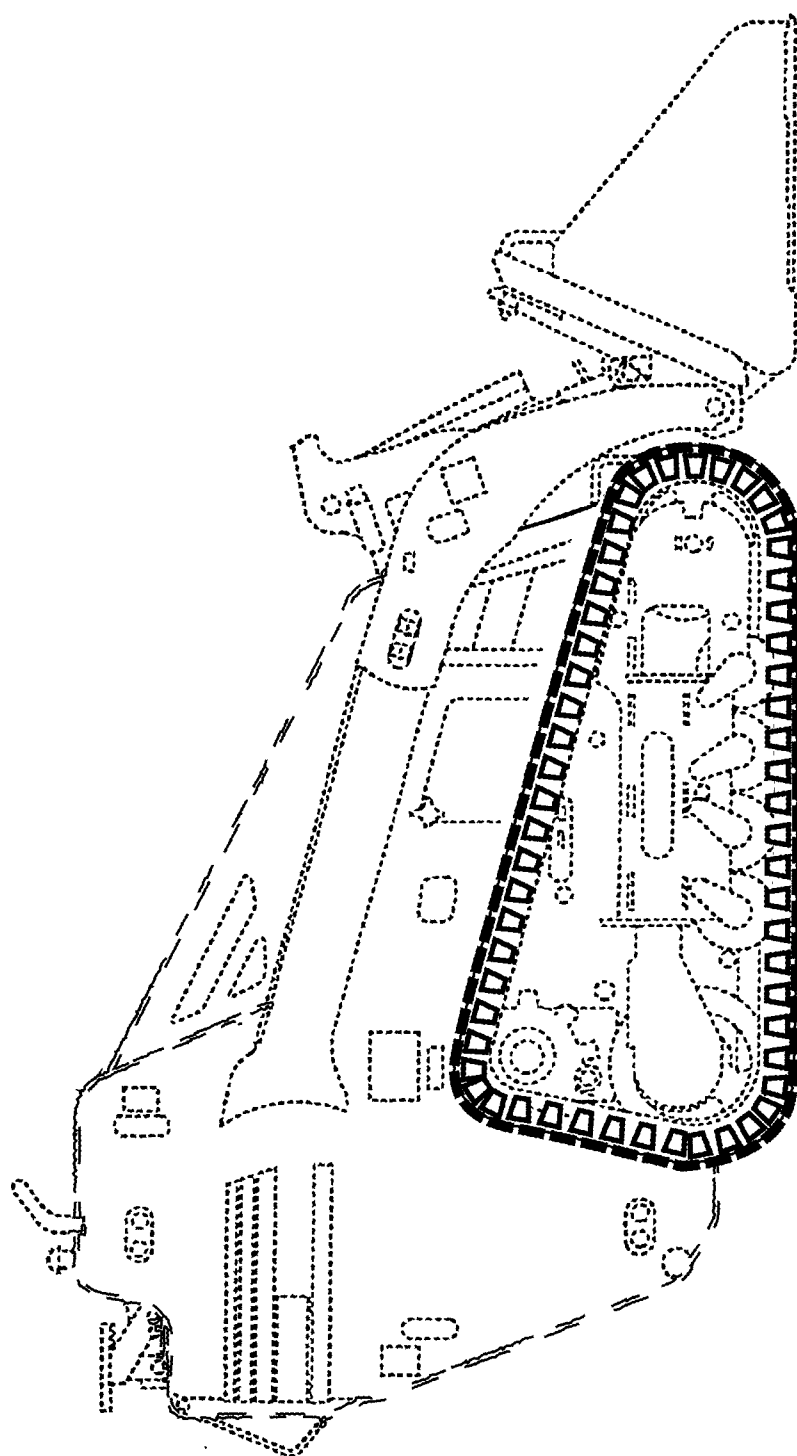


Fig. 2

Fig. 3

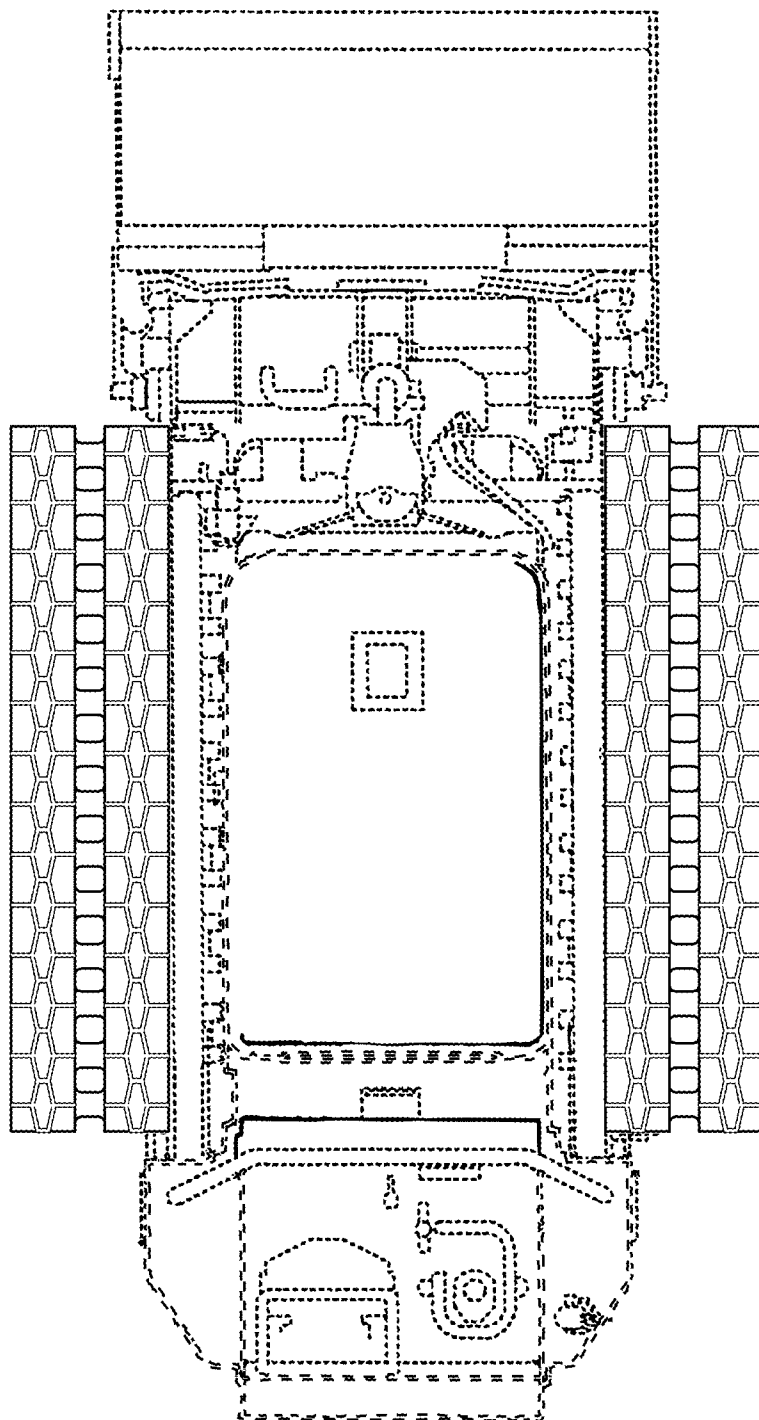


Fig. 4

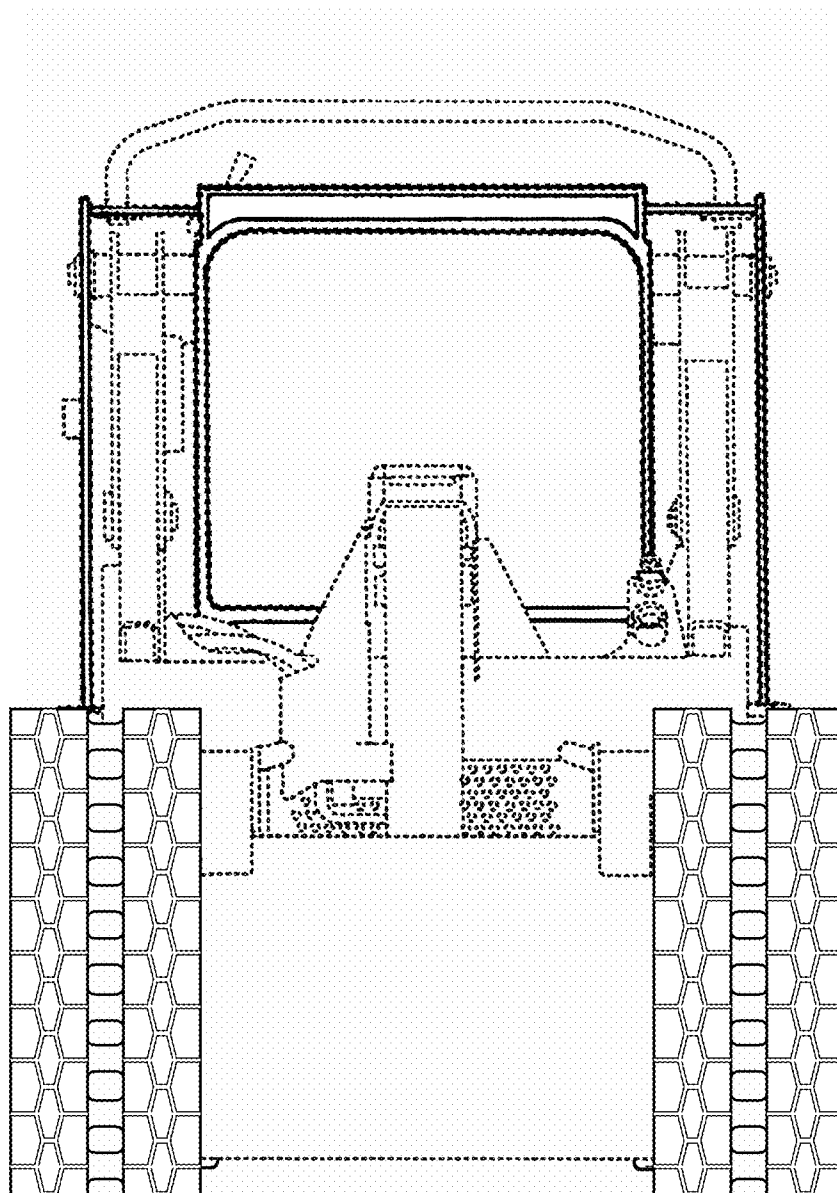
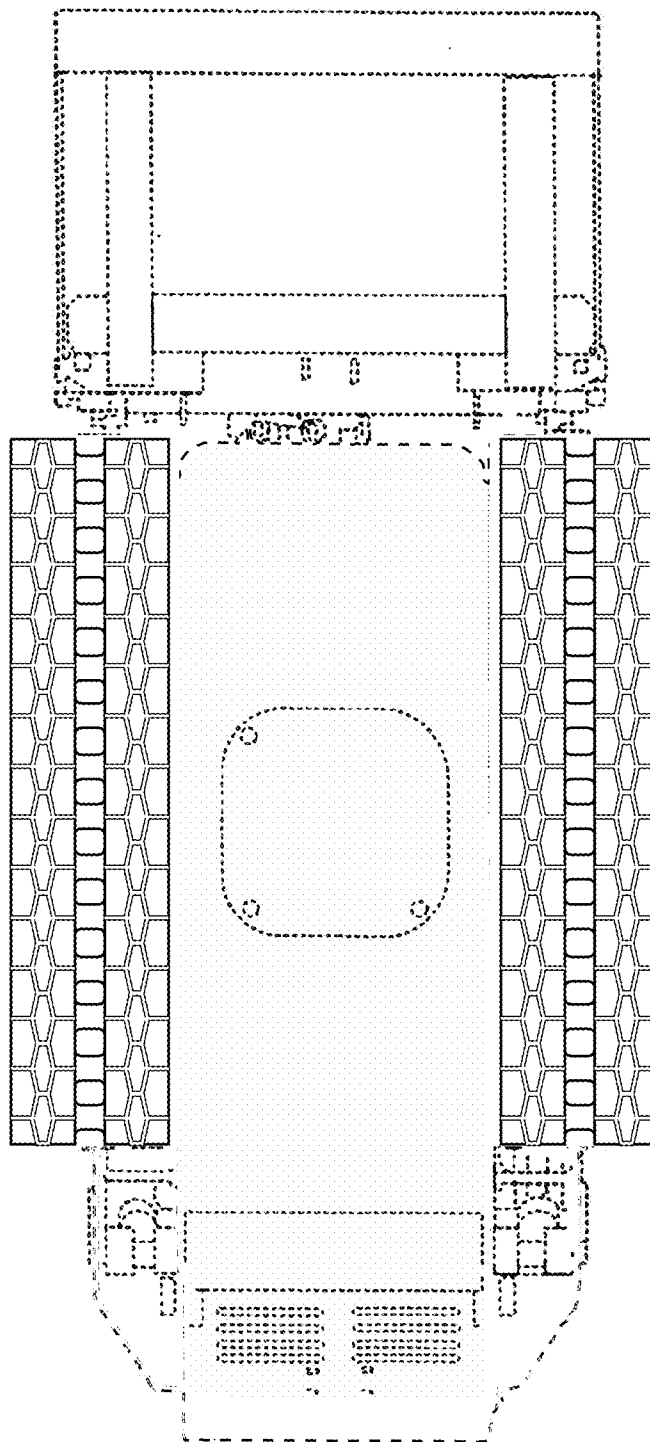


Fig. 5



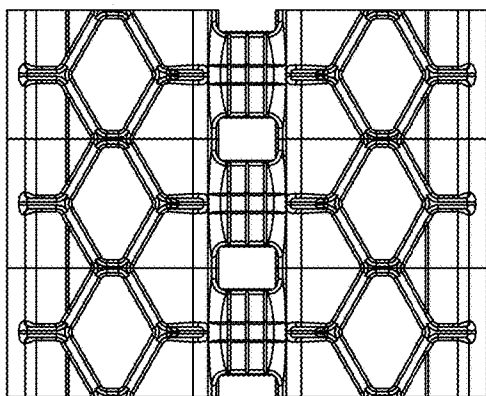


Fig. 6

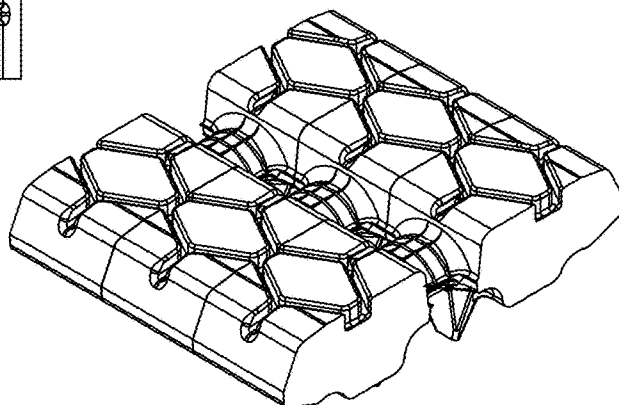


Fig. 7

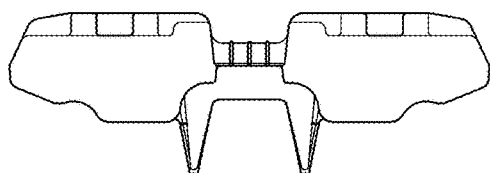


Fig. 8

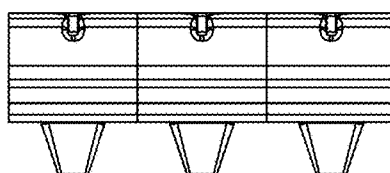


Fig. 9