



US00D843637S

(12) **United States Design Patent**
Anderson et al.

(10) **Patent No.:** **US D843,637 S**

(45) **Date of Patent:** **** Mar. 19, 2019**

- (54) **DECORATIVE LAMP**
- (71) Applicant: **Salvage Electric**, Carlsbad, CA (US)
- (72) Inventors: **Craig J. Anderson**, Carlsbad, CA (US);
Gibson Nolan Beck Anderson,
Carlsbad, CA (US)
- (73) Assignee: **Salvage Electric**, Carlsbad, CA (US)
- (**) Term: **15 Years**

D739,054 S * 9/2015 Carroll D26/2
 9,234,635 B2 * 1/2016 Kwisthout F21K 9/232
 D771,302 S * 11/2016 Ross D26/118
 D771,303 S * 11/2016 Ross D26/118
 D799,100 S * 10/2017 Morris D26/110

* cited by examiner

Primary Examiner — Brian N. Vinson

(74) *Attorney, Agent, or Firm* — K. David Crockett, Esq.;
Paul J. Backofen, Esq.; Crockett & Crockett, PC

(21) Appl. No.: **29/610,909**

(57) **CLAIM**

The ornamental design for a decorative lamp, as shown and described.

- (22) Filed: **Jul. 17, 2017**
- (51) **LOC (11) Cl.** **26-03**
- (52) **U.S. Cl.**
USPC **D26/110**
- (58) **Field of Classification Search**
USPC D26/2, 72, 76, 77, 78, 80, 85, 89, 102,
D26/104, 142, 121, 118, 110, 93;
D11/90
CPC F21S 8/03; F21S 8/031; F21S 8/033; F21S
8/036; F21S 9/03; F21S 9/037; F21V
21/025; F21V 17/08; F21V 17/10
See application file for complete search history.

DESCRIPTION

FIG. 1 is a right-front perspective view of the decorative lamp showing our new design.
 FIG. 2 is a right side elevation view thereof.
 FIG. 3 is a front side elevation view thereof.
 FIG. 4 is a left elevation view thereof.
 FIG. 5 is a rear elevation view thereof.
 FIG. 6 is a top plan view thereof; and,
 FIG. 7 is a bottom plan view thereof.
 The broken line disclosure represents portions of the decorative lamp which form no part of the claimed design.

(56) **References Cited**

U.S. PATENT DOCUMENTS

D280,850 S * 10/1985 Merino D26/102
 D720,492 S * 12/2014 Gatchel D26/104

1 Claim, 7 Drawing Sheets

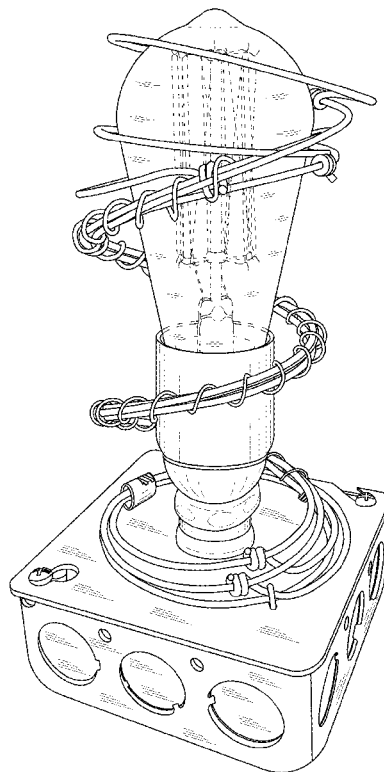


Fig. 1

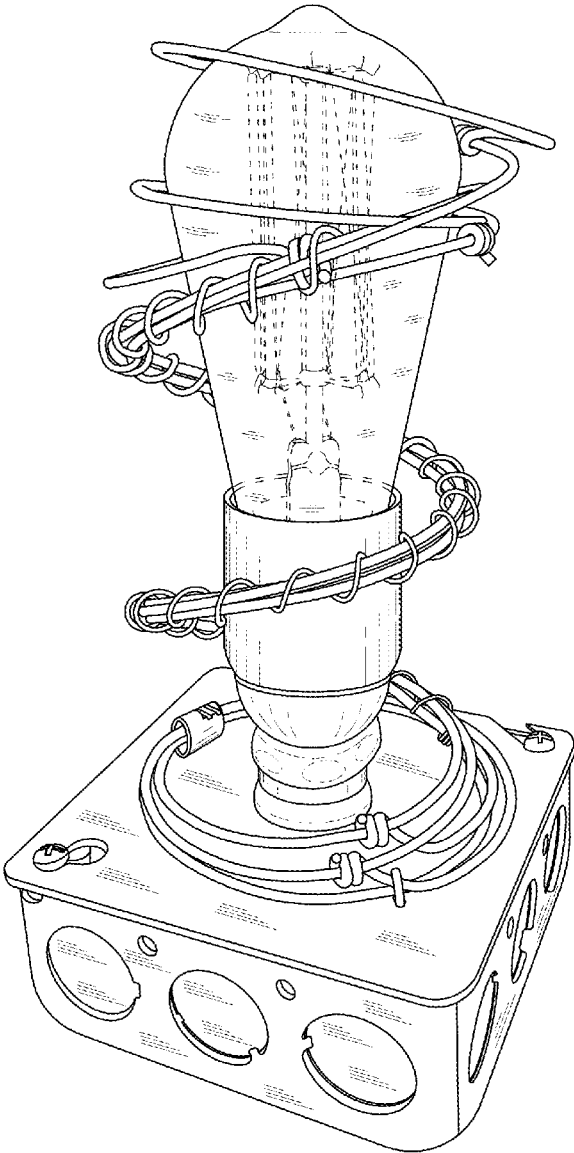


Fig. 2

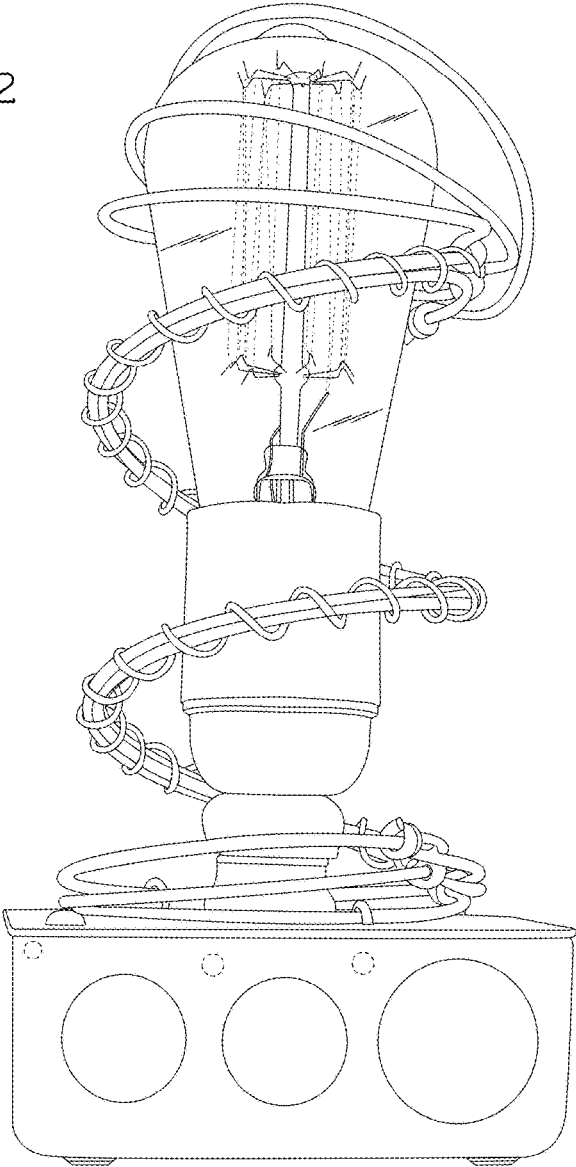


Fig. 3

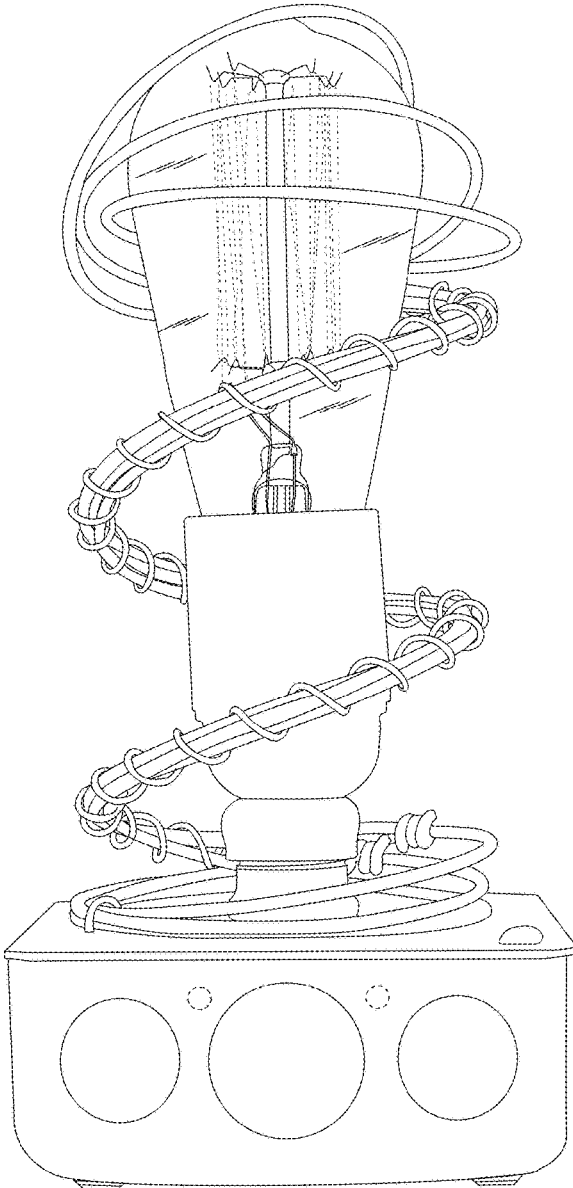


Fig. 4

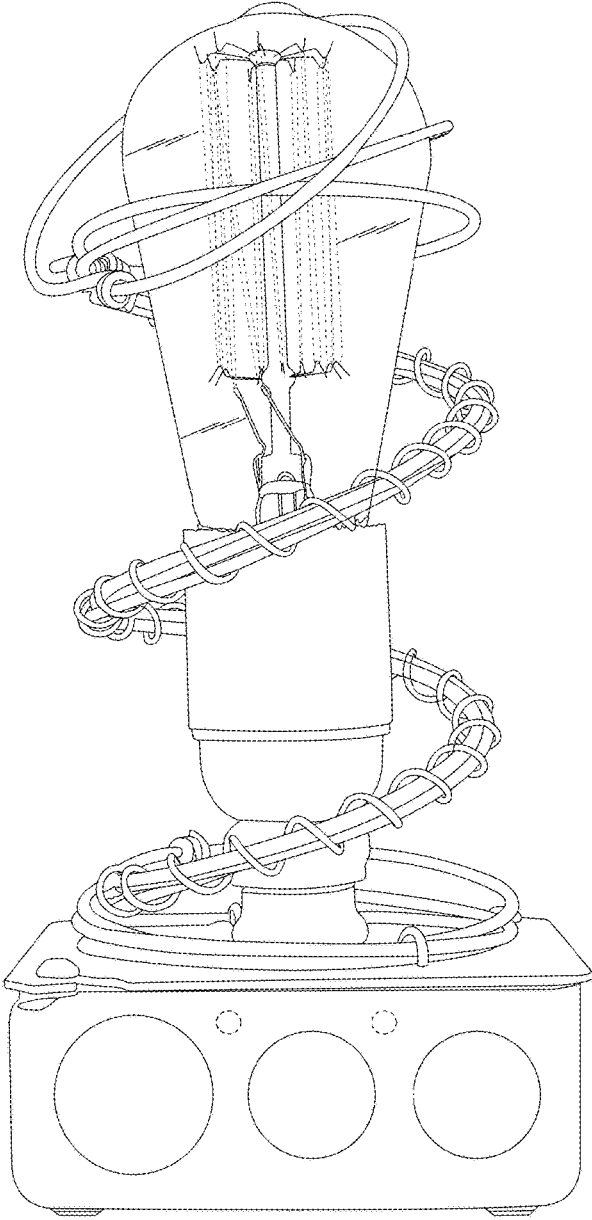


Fig. 5

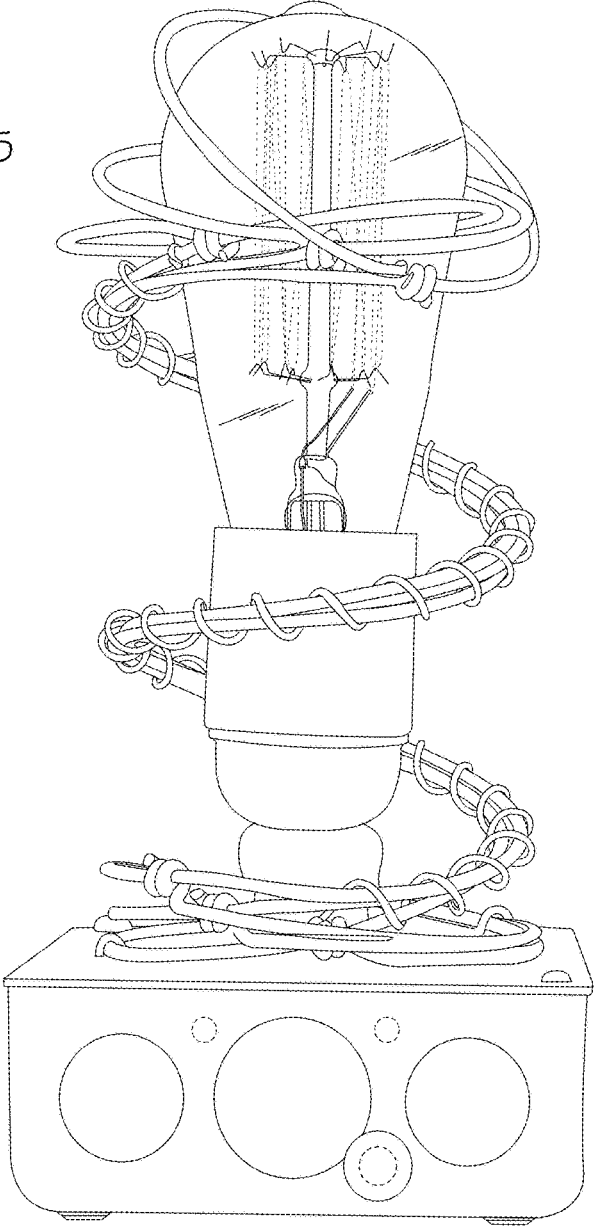


Fig. 6

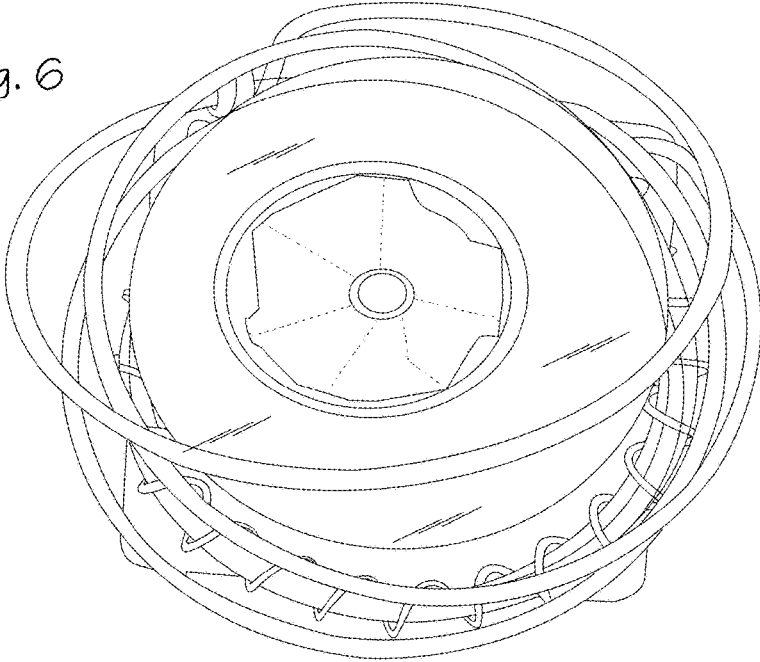


Fig. 7

