



US00D879951S

(12) **United States Design Patent**  
**Kucklick**

(10) **Patent No.:** **US D879,951 S**

(45) **Date of Patent:** **\*\* Mar. 31, 2020**

- (54) **ARTHROSCOPIC CANNULA**
- (71) Applicant: **Cannuflow, Inc.**, Campbell, CA (US)
- (72) Inventor: **Theodore R. Kucklick**, Campbell, CA (US)
- (73) Assignee: **Cannuflow, Inc.**, Campbell, CA (US)
- (\*\*) Term: **15 Years**

D616,544 S *	5/2010	Chesnin	.....	D24/130
D760,890 S *	7/2016	Guala	.....	D24/112
D775,330 S *	12/2016	Blennow	.....	D24/130
D775,723 S *	1/2017	Rowe	.....	D24/112
D844,774 S *	4/2019	Akcaay	.....	A61M 25/0097
				D24/112
D864,381 S *	10/2019	Miles	.....	D24/112
D870,883 S *	12/2019	Harding	.....	D24/130
10,500,376 B2 *	12/2019	Isaacson	.....	A61M 39/00

\* cited by examiner

*Primary Examiner* — David G Muller

(74) *Attorney, Agent, or Firm* — K. David Crockett, Esq.;  
Susan L. Crockett, Esq.; Crockett & Crockett, PC

- (21) Appl. No.: **29/670,175**
- (22) Filed: **Nov. 14, 2018**
- (51) **LOC (12) Cl.** ..... **24-02**
- (52) **U.S. Cl.**  
USPC ..... **D24/112**
- (58) **Field of Classification Search**  
USPC ..... D24/112–114, 108, 130, 127, 133, 186;  
606/181, 185; 604/264, 523–528, 272,  
604/164.01–164.11, 187, 93.01; 600/101,  
600/139, 143; 128/200.24, 207.14,  
128/207.15  
CPC .. A61M 25/065; A61M 5/42; A61M 25/0612;  
A61M 25/00; A61M 39/00; A61M 27/00;  
A61M 25/0043; A61M 25/0067; A61M  
25/0097; A61F 2/958  
See application file for complete search history.

(57) **CLAIM**

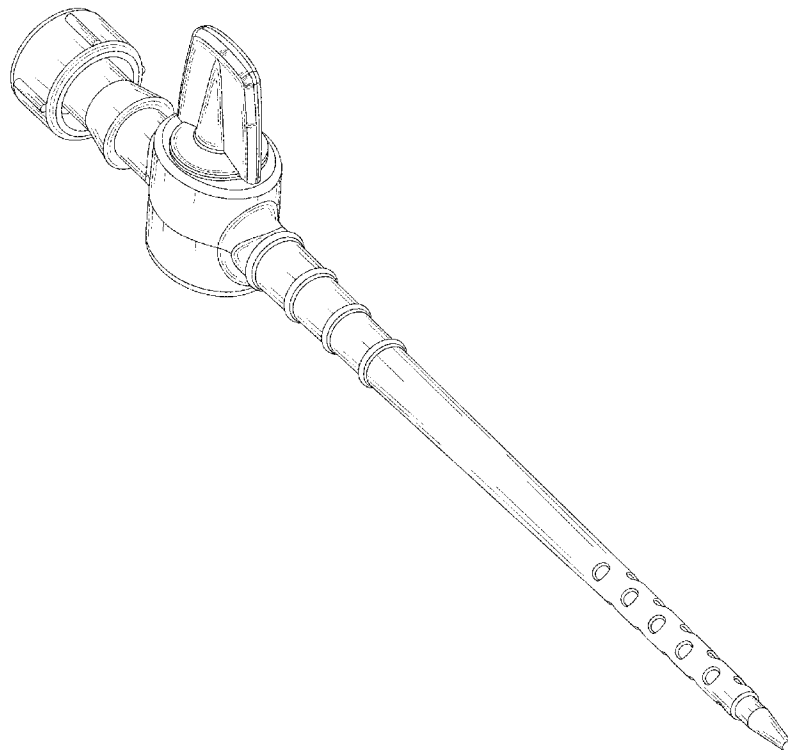
The ornamental design for an arthroscopic cannula, as shown and described.

**DESCRIPTION**

FIG. 1 is a top-front perspective view of an arthroscopic cannula showing my new design.  
 FIG. 2 is a rear perspective view thereof.  
 FIG. 3 is a top plan view thereof.  
 FIG. 4 is a bottom plan view thereof.  
 FIG. 5 is a left side view thereof.  
 FIG. 6 is a right side view thereof.  
 FIG. 7 is a front view thereof; and,  
 FIG. 8 is a rear view thereof.

**1 Claim, 7 Drawing Sheets**

- (56) **References Cited**  
U.S. PATENT DOCUMENTS  
D474,269 S \* 5/2003 Choksi ..... D24/108  
D478,383 S \* 8/2003 Timm ..... D24/130



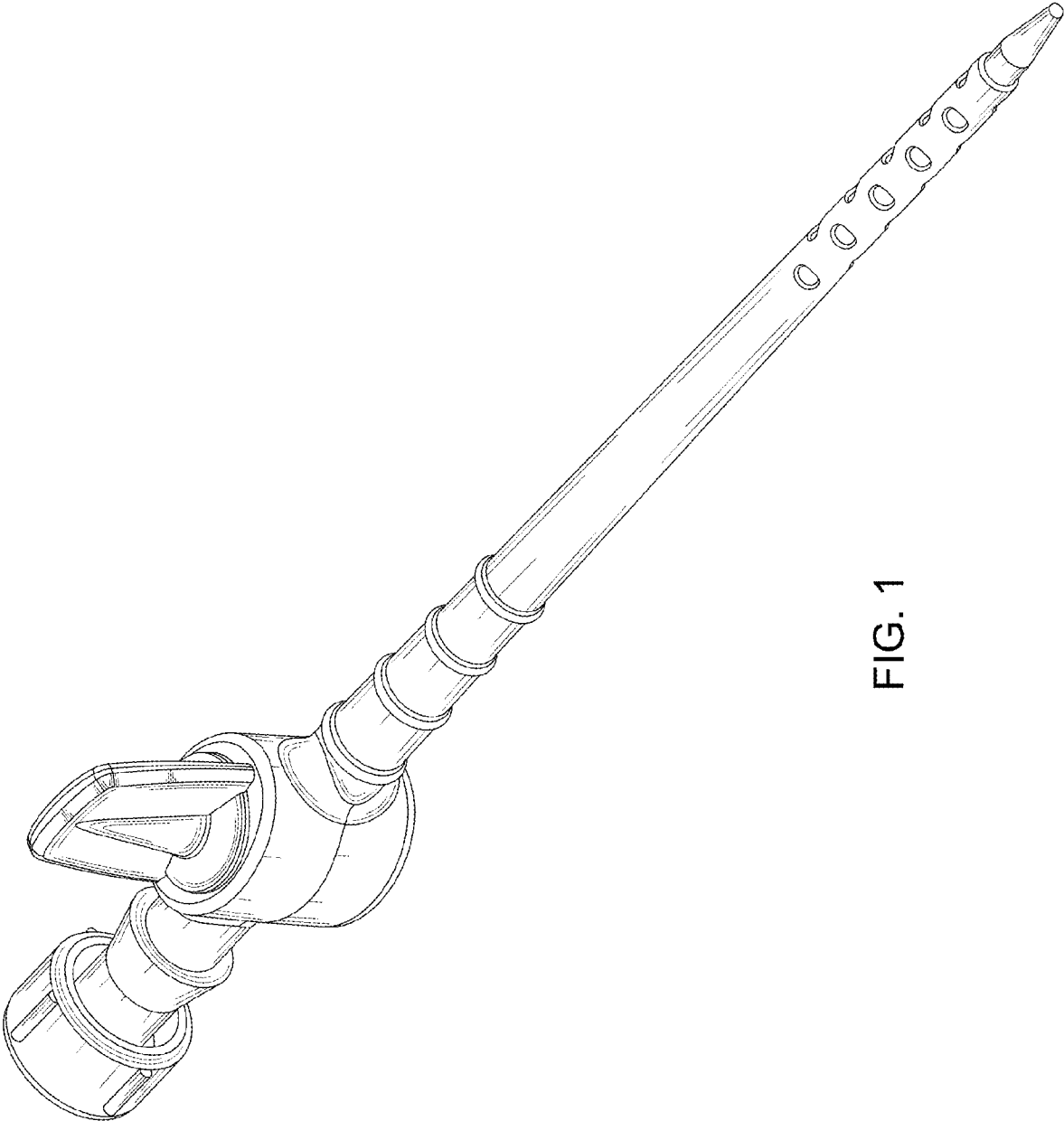


FIG. 1

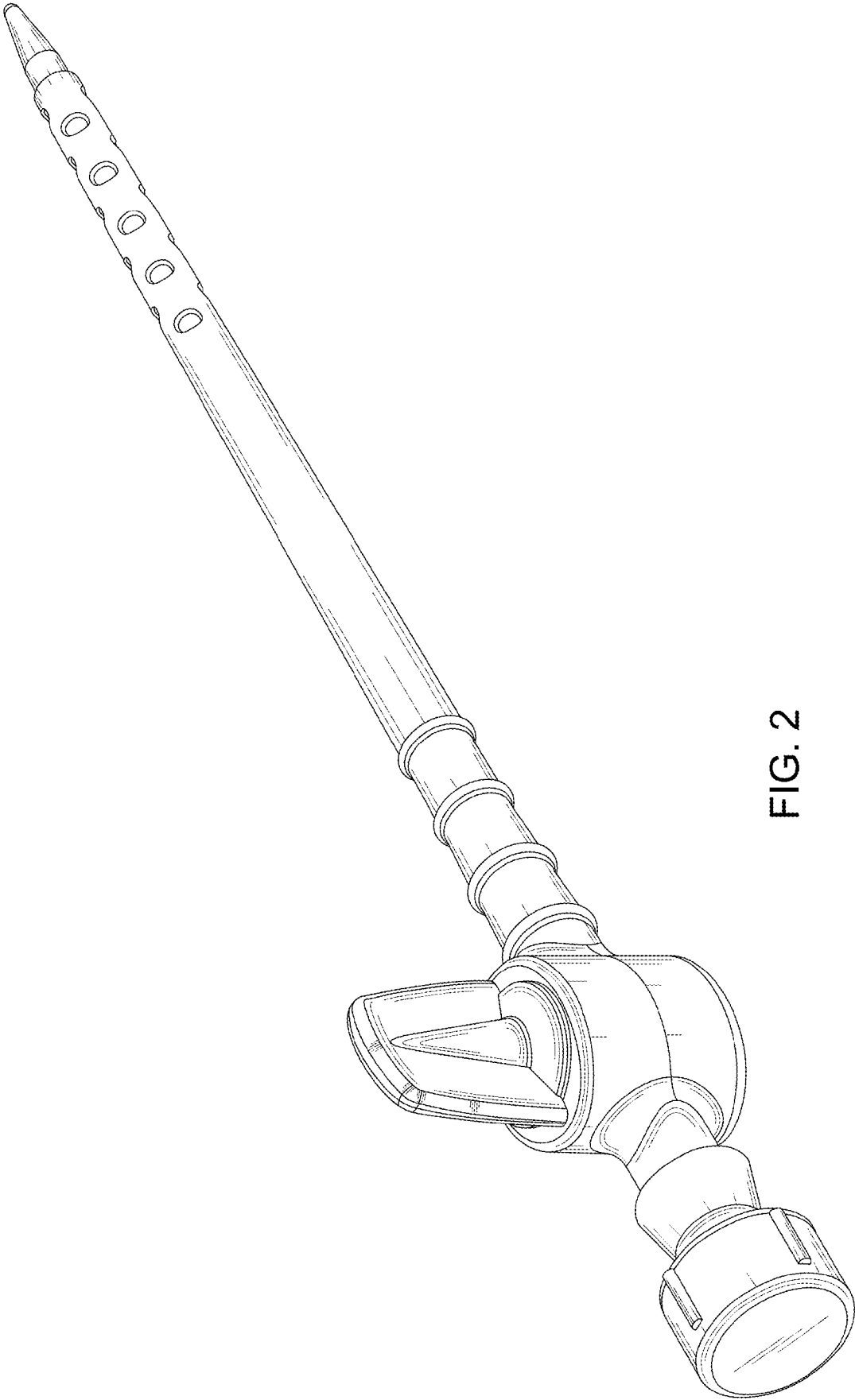


FIG. 2

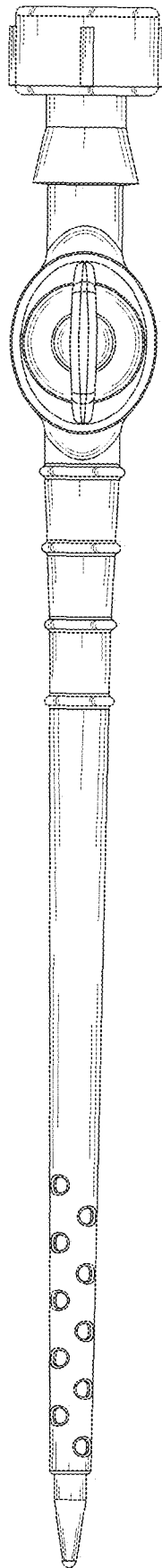


FIG. 3

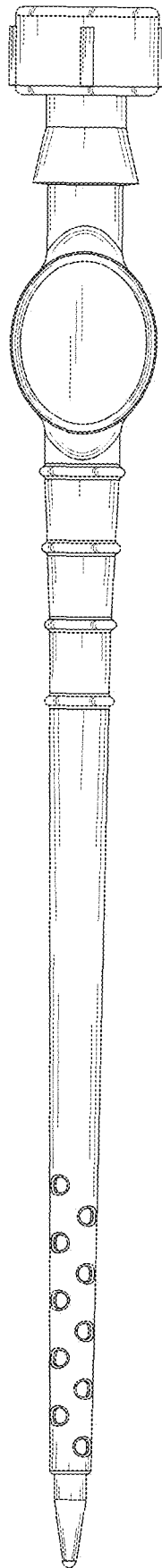


FIG. 4

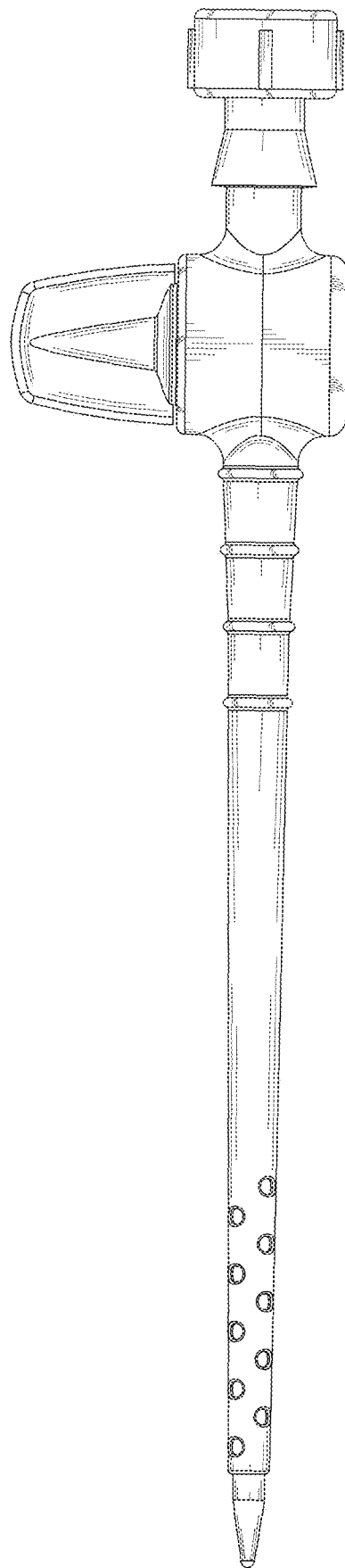


FIG. 5

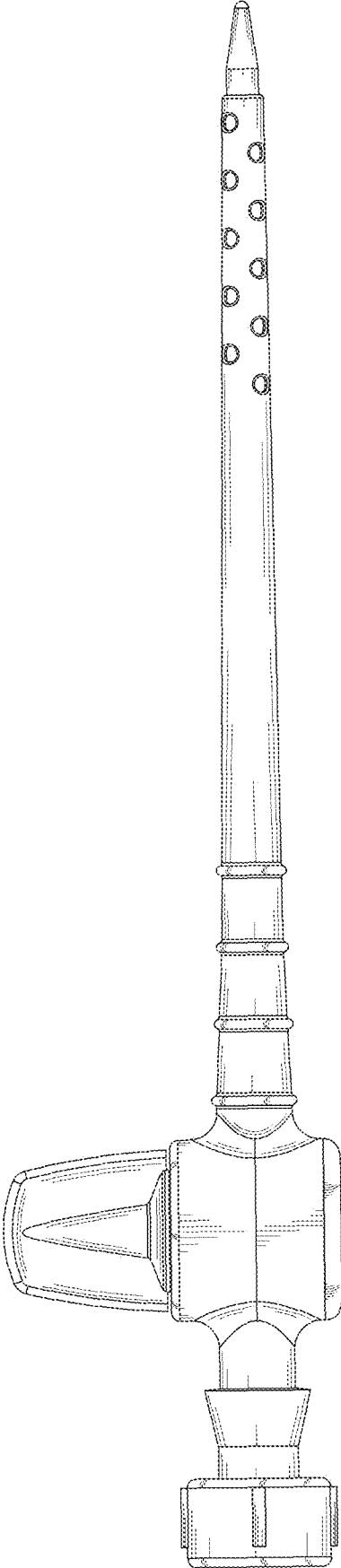


FIG. 6

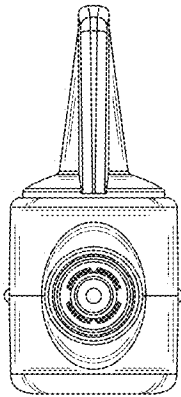


FIG. 7

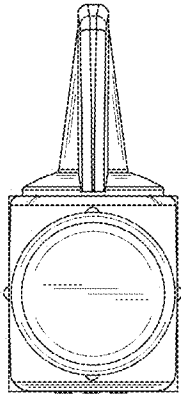


FIG. 8